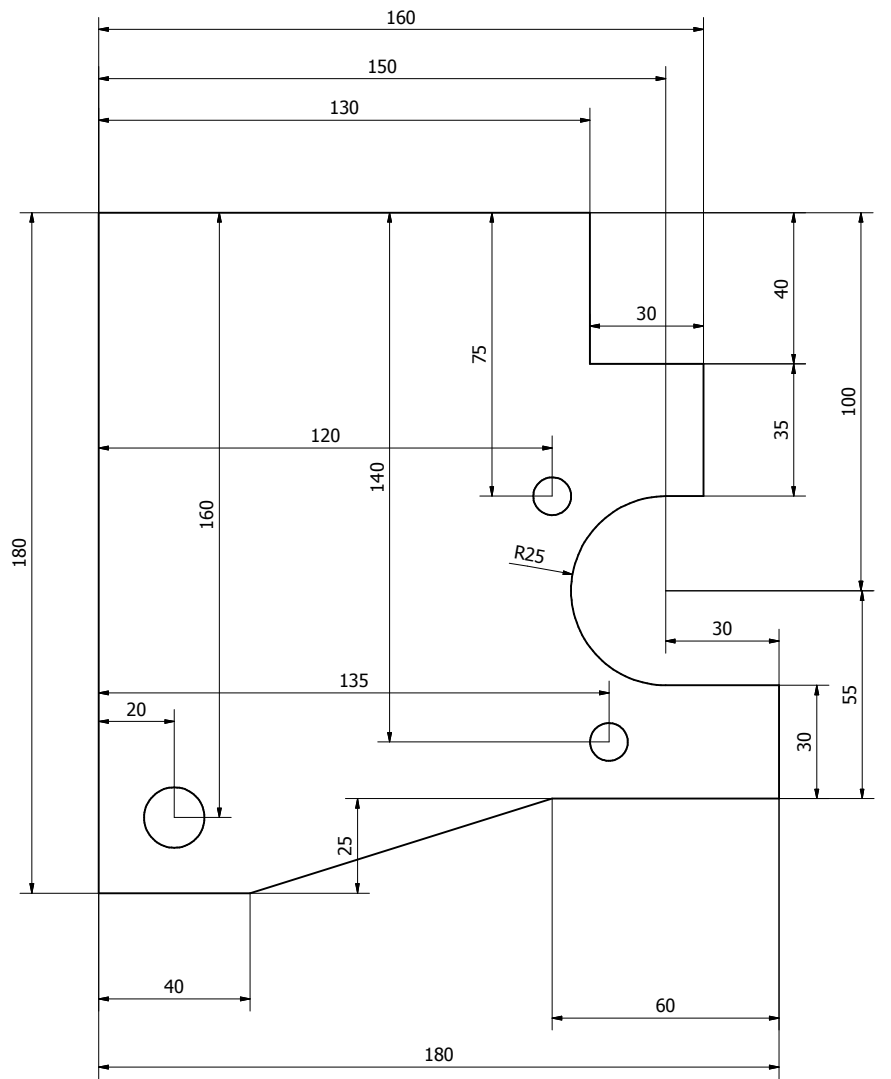
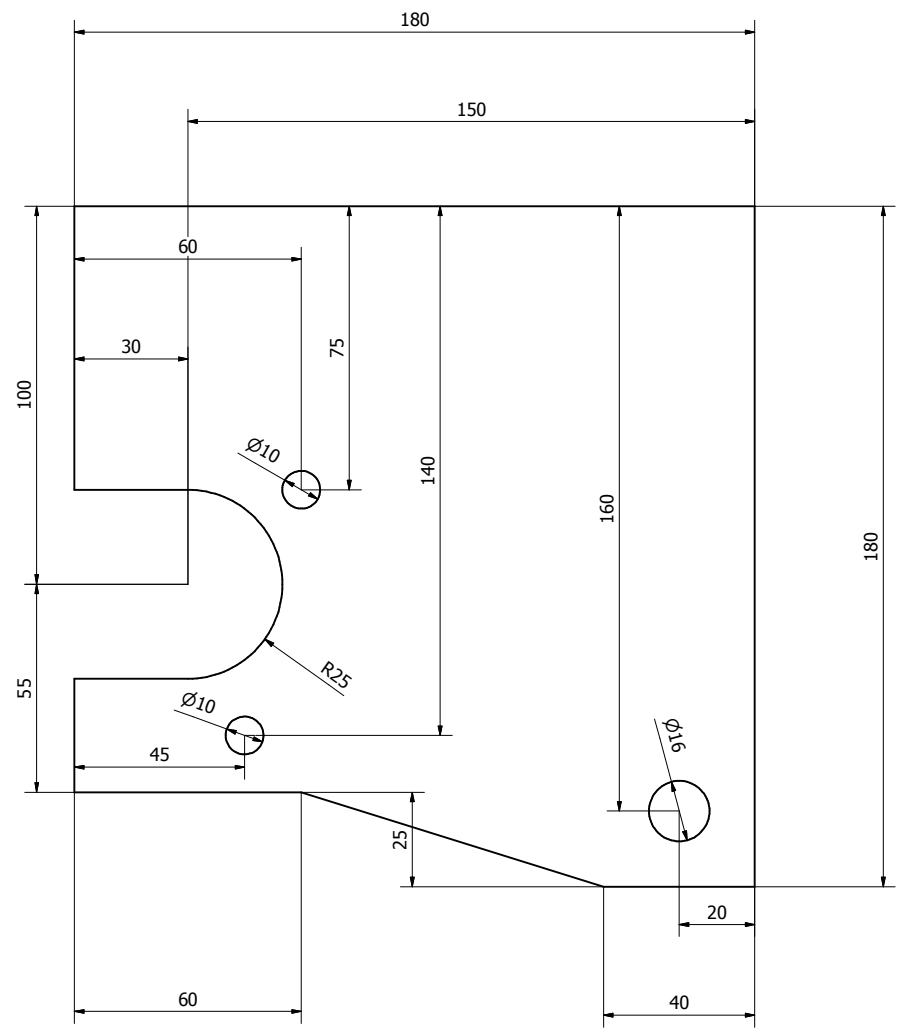


REV.	DATE	DESCRIPTION	DRAWN BY	CHECKED BY	APPR. BY	PROJECT APPR.	CLIENT APPR.

WME
Fire Fighting Systems
www.wme.no

© WATER MIST ENGINEERING AS	
AREA	FORMAT
CLIENT DRAWING NUMBER	SCALE
WME DRAWING NUMBER	SHEET

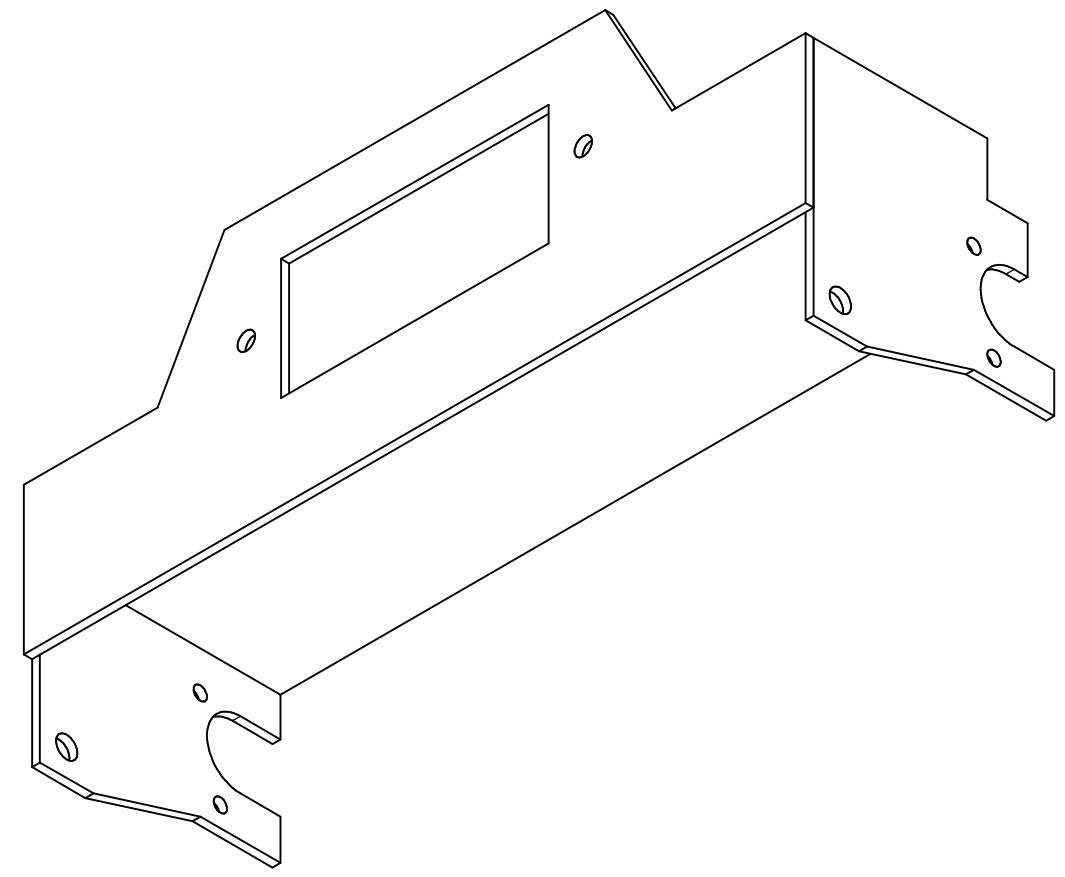
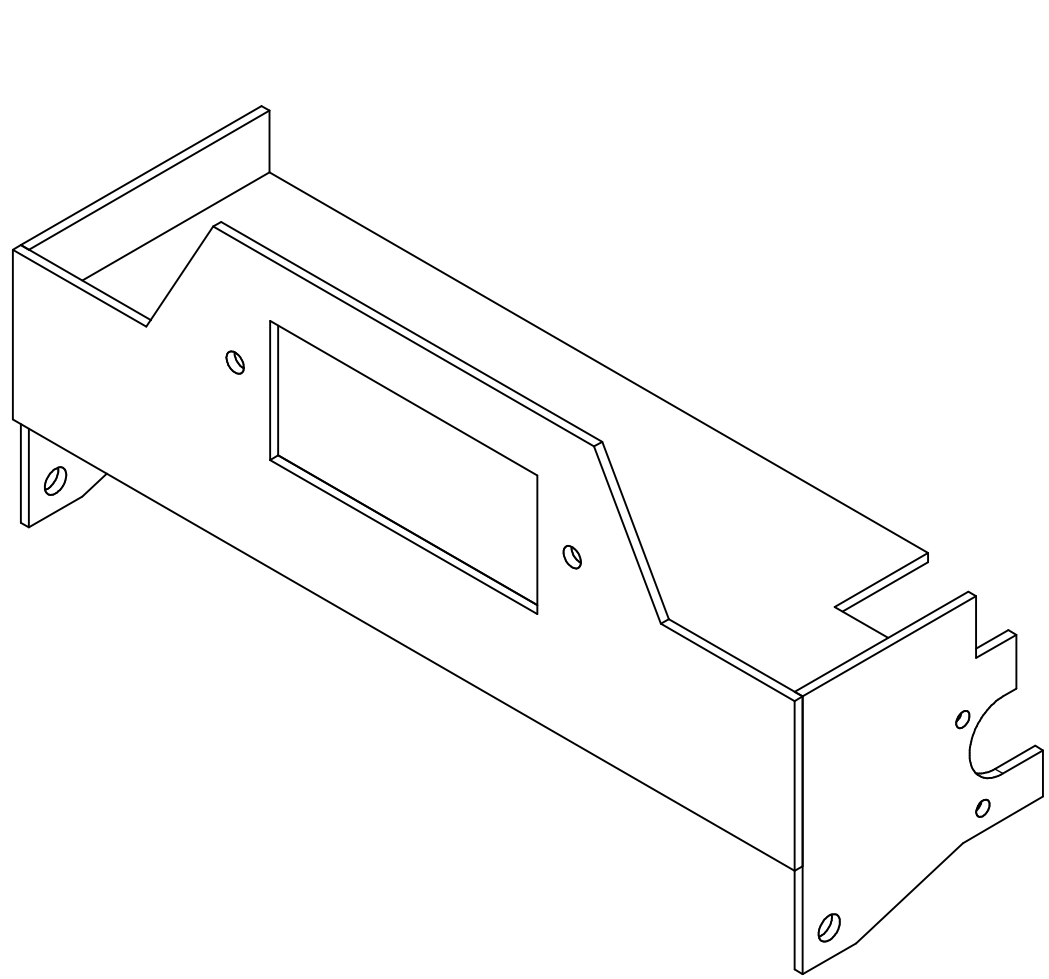


REV.	DATE	DESCRIPTION	DRAWN BY	CHECKED BY	APPR. BY	PROJECT APPR.	CLIENT APPR.

WME
Fire Fighting Systems
www.wme.no

© WATER MIST ENGINEERING AS

AREA	FORMAT
CLIENT DRAWING NUMBER	SCALE
WME DRAWING NUMBER	SHEET



REV.	DATE	DESCRIPTION	DRAWN BY	CHECKED BY	APPR. BY	PROJECT APPR.	CLIENT APPR.

WME
Fire Fighting Systems
www.wme.no

© WATER MIST ENGINEERING AS

AREA	FORMAT
CLIENT DRAWING NUMBER	SCALE
WME DRAWING NUMBER	SHEET